



Sunshade

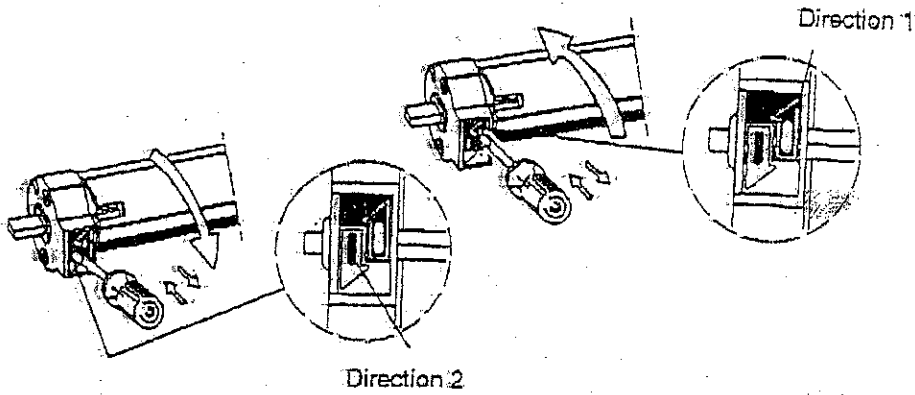
MOTOR 4260 - LIMIT SWITCH ADJUSTMENT

TECHNICAL INFORMATION:

Motor Silent Gliss 4260 is a low voltage motor, operated with 12 Volt DC. The minimal voltage sufficient to drive this motor is 12 Volt. For a proper functioning of the motor, the power supply must be stable.

LIMIT SWITCH ADJUSTMENT

Push the appropriate limit switch button located behind valance (see chart below) and drive shade into desired position; upon de-pressing the switch, the shade will stop and the limit is set. Should the shade move in the 'up' direction when the switch is activated for the 'down' motion, reverse the polarity of the motor cables on the switch.



Each motor has a separate limit switch setting button, one for lowering and one for raising of the shade.

Color of Limit Button	Motor on Left Side of Shade
Black Button	Lowering Shade
Yellow Button	Raising Shade

